

## CDS4004828 EMI filter at CISPR22 class B

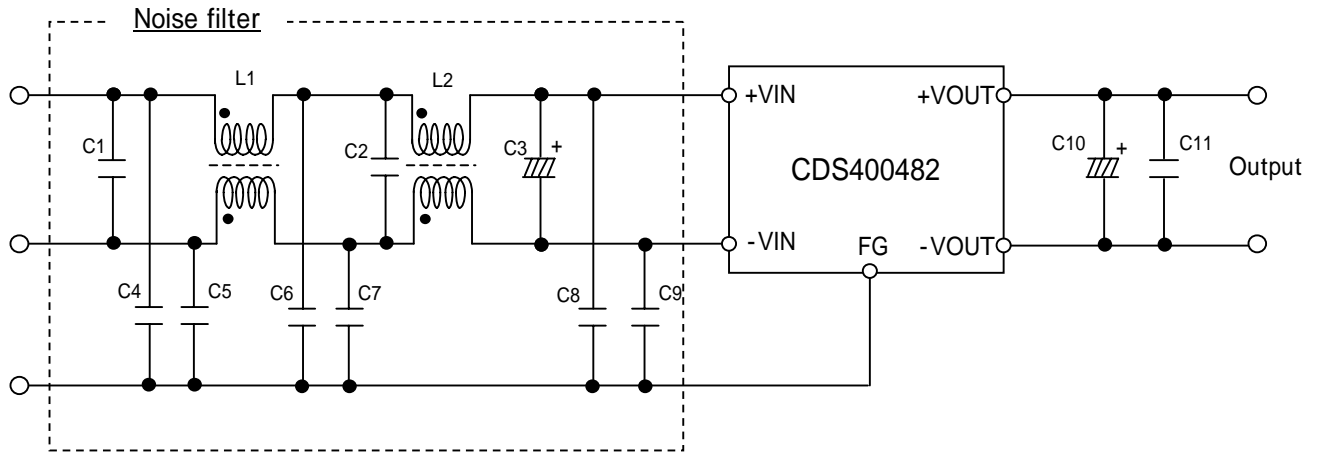


Fig.1 Noise filter

Table 1 Parts value of EMI filter

No.	Part No.	Spec		Note
1	C1,2	0.68uF	250V	Film capacitor
2	C3	470uF	100V	Electrolytic capacitor
3	C4 - 9	0.033uF	630V	Film capacitor
4	C10	220uF	35V	Electrolytic capacitor
5	C11	0.1uF	50V	Film capacitor
6	L1,2	1.0mH	15A	Common mode Choke Coil